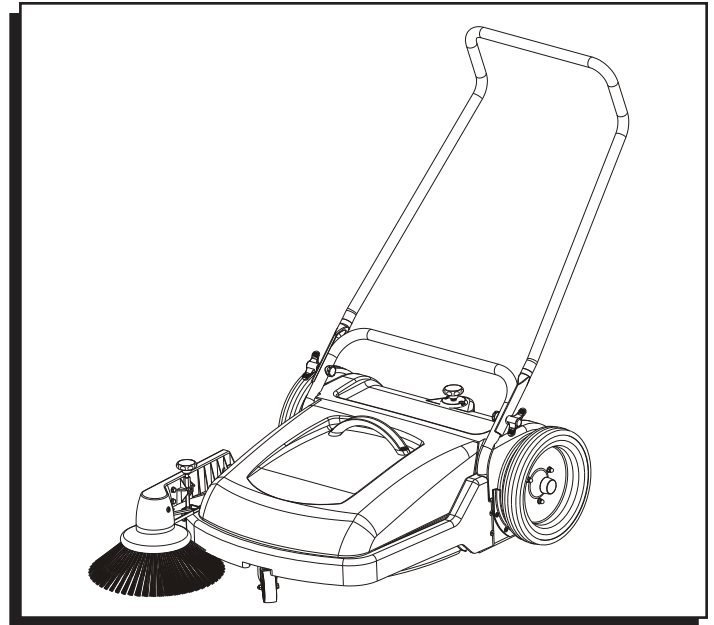


ULINE H-2760
INDUSTRIAL PUSH
SWEEPER

1-800-295-5510
uline.com



PROPER USE

The Kleen Sweep 27 machine is exclusively designed for dry sweeping floors. Anything beyond its intended use will be deemed improper and the manufacturer cannot be held liable for damages.

The term of proper use also includes compliance with the manufacturer's instructions about operation, maintenance and repair.

The Kleen Sweep 27 may be serviced and repaired by Uline.

The following is excluded from warranty:

- Natural wear and tear after overload
- Damages caused by inexperienced handling
- Unauthorized modification of the machine.

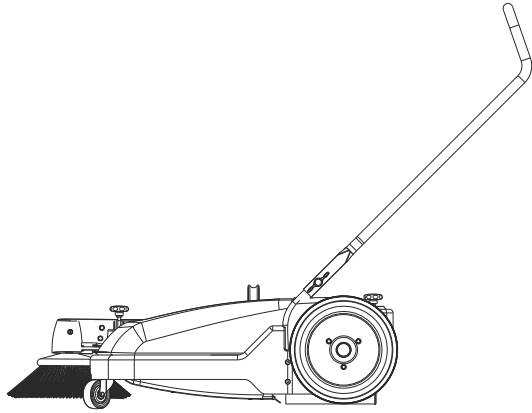
WARNINGS

- Apart from the information contained in this manual, the generally applicable legal provisions for safety and prevention of accidents must be adhered to.
- Do not put this manual aside without having read it, even if you did already operate similar ground cleaning equipment before. Allow yourself the time to do so in order to save time at a later moment.
- The operator is responsible for all persons in the work area.
- Children have to keep clear of the Kleen Sweep 27 in operation. Nobody is allowed to stay in the zone of danger.
- Machines with known defects must not be used.
- It is important to familiarize yourself with all accessories and controls, as well as their functions, before you start working.
- Floor cleaning machines may only be run by qualified personnel.
- Do not use the machine in wet and slushy areas.
- Store the machine in a dry place.
- Do not use the machine in areas where there are no properly paved roads.
- Using the machine on public roads and places is not recommended.
- Only qualified personnel (Uline Repairs) are permitted to perform maintenance and repair work.
- Do not use vapor jet or high pressure cleaning equipment to clean the machine. Use of the machine in areas endangered by explosion hazard is not recommended.

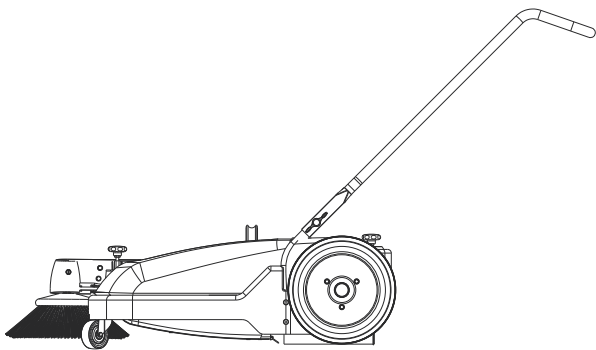
ASSEMBLY

For ease of packing, the handle and side brush assembly are packed separately. These parts must be installed before the machine is put into operation.

The handle is mounted by means of knobs. Handle can be fixed in two different positions as shown below.



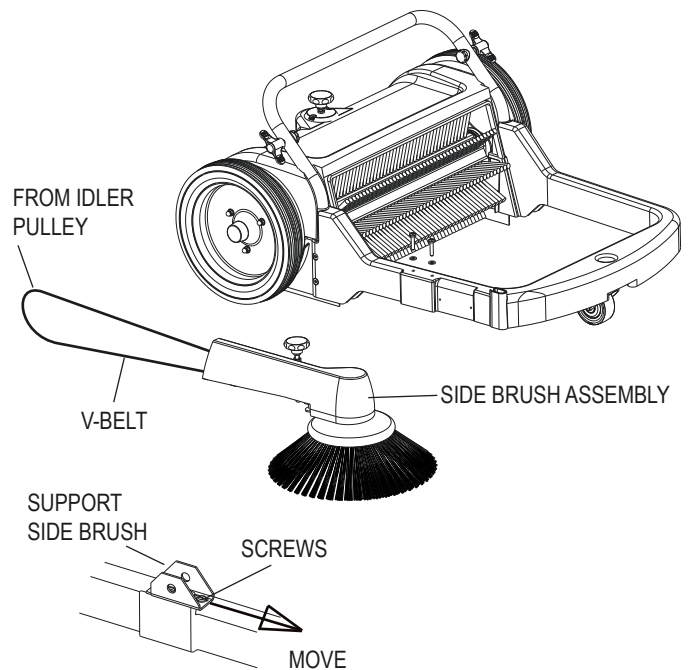
Handle Position 1



Handle Position 2

SIDE BRUSH ASSEMBLY

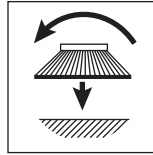
1. Mount the side broom to the brush plate on the side arm assembly using hex head bolt and nylock nut.
2. Position the V-Belt from the side arm assembly around the pulley attached to the backside of the right wheel. In order to do this it will be necessary to twist the V-Belt. The lower loop of the V-Belt should come from the idler pulley (not from the broom pulley).
3. Attach the side arm assembly with the support side brush on the frame by loosening the screws fixed onto the frame. Place the V-Belt onto the drive pulley on the wheel, adjust the arm assembly forwards or backwards to the desired tension. Fasten the arm assembly by tightening the screws. Check the brush for free rotation.
4. Check for proper rotation and operation of the side broom. The broom should rotate counterclockwise when the sweeper is pushed forward, if not, the V-belt was installed incorrectly. If the belt slips, the tension can be adjusted by loosening the 2 screws that attach the support side brush to the frame, move the bracket forward, then retighten the screws.



CONTROLS

1. PRESSURE ADJUSTMENT KNOB FOR SIDE BRUSH

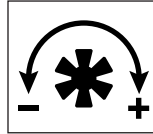
Used for setting the side brush. The side brush should only partially touch the floor to throw swept particles into the machine.



The caster wheel keeps the preset working height of the side brush.

2. PRESSURE ADJUSTMENT KNOB FOR MAIN BRUSH

Used for setting the main brush pressure. The pressure must be set to assure perfect cleaning operation.



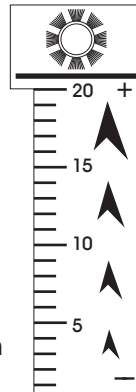
3. KNOBS


Used to secure the handle to the machine or to reposition it.

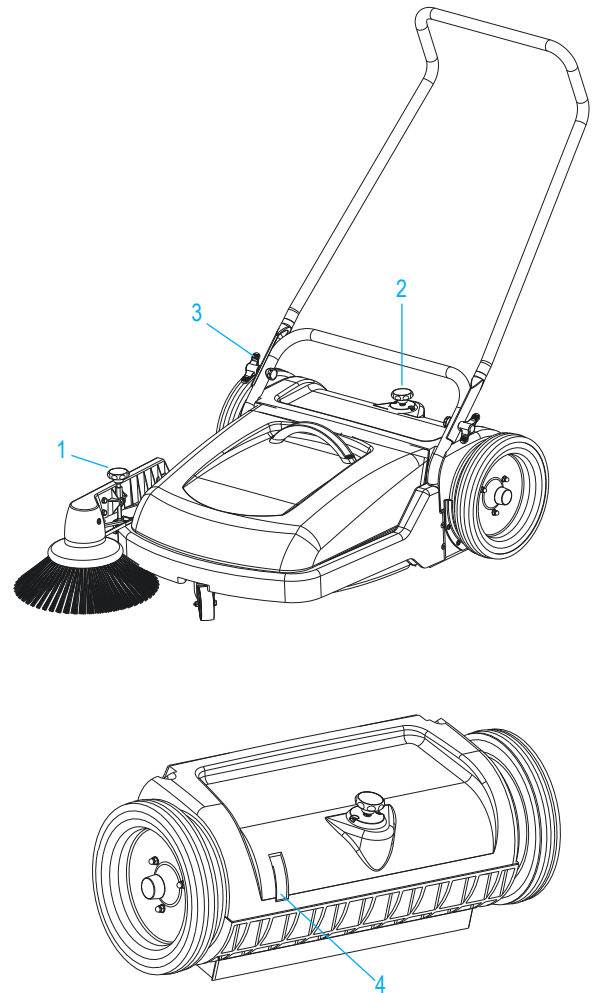
4. MAIN BRUSH PRESSURE READING SCALE

Indicates the pressure at which the main brush has been set. Setting must be performed as described below:

- Set the main brush by turning the knob clockwise to increase the pressure. The scale should read '5'.
- Starting with this setting, the main brush pressure can be increased to maintain performance (as the brush wears out).
- Turn the knob counterclockwise to reduce the main brush pressure according to the need.




 **NOTE:** Excess pressure will cause unnecessary brush wear and increased load for the operator.



OPERATION

The Kleen Sweep 27 operates with two brushes. The side brush takes dirt from the side into the reach of the main brush. The main brush maintains its direction of rotation to throw the dirt into the hopper as the machine moves forward.

 **NOTE:** In case of obstacles in the sweeping path, the Kleen Sweep 27 should be pressed down at the handle. This will cause the two brushes to lift off the floor and the machine can easily pass over these obstacles.

EMPTYING OF HOPPER

The hopper can be easily lifted by using the handle provided. The hopper is secured to the machine frame. The hopper must be in direct contact with the brush compartment in order to prevent dirt leakage.

MAINTENANCE

RENEWAL OF BRUSH ASSEMBLIES

1. The main brush consists of a brush shaft with two brush core assemblies fastened with six self-tapping screws.
2. The brush cores can be replaced as below:
 - Unscrew the self-tapping screws.
 - Pull the brush core assembly to the front (broom viewed from user side) to remove it from the brush shaft.

 **NOTE:** When reassembling the brush, ensure the split pins are fixed in the holes to guide the brush.

RUBBER SEALING APRONS

1. The rubber aprons prevent dust leakage produced by the brush. To maintain performance, damaged or used aprons must be replaced.

GREASING OF THE MAIN WHEELS

1. To clean and grease the wheel axle and gear ring, the main wheels must be removed as described below:
 - Remove hood, remove the bolt and domed cap nut from the wheel and pull the main wheel.
 - Unscrew the gear cover and apply grease in the gear area.
 - Reposition the main wheel.

REPLACEMENT AND TENSIONING OF THE V-BELT

1. Lift up the side brush arm.
2. Loosen the clamp screw and pull out the side brush from the brush arm.
3. Place the V-Belt through the brush arm and put it on the V-Belt pulley on the brush shaft.
4. Push the side brush back into the brush arm and retighten the clamp screw.
5. Place V-Belt into the groove of the righthand main wheel.

When the brush arm is down, the V-Belt must be tensioned to allow a perfect drive transmission. If necessary, retighten by shifting the side brush arm bearing.

REPLACEMENT OF THE SIDE BRUSH

1. The side brush can be replaced after removing hex bolts from the side brush.

REGAINING OF BRISTLES

1. If the bristles have been bent inwards in transit, the side brush must be placed on a flat base with the bristles pointing outward and a weight must be placed on the plate. The bristles will regain their correct position gradually.
2. If the bristles have been bent outwards, bring them together, wrap a rubber band around the bristles and allow the band to stay for sometime. The bristles will regain their correct position gradually.

MAINTENANCE SCHEDULE

Compliance with our operating and maintenance instructions will ensure trouble free and smooth operation of the machine.

If you are not capable of performing the maintenance schedule by yourself, please contact Uline Repairs.

MAINTENANCE INTERVALS

Daily

- Empty dirt box
- Clean the unit
- Check brushes and sealing aprons

Weekly

- Remove the ropes, tapes, etc., entangled in the main brush shaft

Monthly

- Grease the track wheels
- Check V-Belt tension; if necessary, retighten

TECHNICAL SPECIFICATIONS

DESCRIPTION	UNIT	VALUE
Width	mm	725
Width with Side Brush	mm	785
Height with Handle	mm	1020
Height without Handle	mm	400
Length with Side Brush	mm	1000
Length without Side Brush	mm	800
Weight with Side Brush Group	kg	26
Diameter of Drive Wheel	mm	280
Sweeping Width without Side Brush	mm	460
Sweeping Width with Side Brush	mm	650
Diameter of Main Brush	mm	230
Main Brush Bristle Diameter	mm	0.30
Brush Speed (Theoretical)	rpm	273 at 4 kmph
Side Brush Bristle Diameter	mm	0.4
V-Belt (Side Brush)	mm	8 x 1680
Dirt Box Capacity	lit	40
Direction of Rotation for Sweeping		Forward
Area Coverage		Up to 2600 sq.mtr/hr at 4 kmph

TROUBLESHOOTING

OPERATING ISSUE	RECOMMENDATIONS
Machine hard to push/pull	Decrease main brush pressure setting Grease main wheels
Sweeping unsatisfactory	Increase main/side brush pressure Clean main/side brush Check main brush for loose bristles
Traces of dirt left behind the machine	Check side/rear rubber sealings
Side brush not rotating	Check V-Belt for transmission